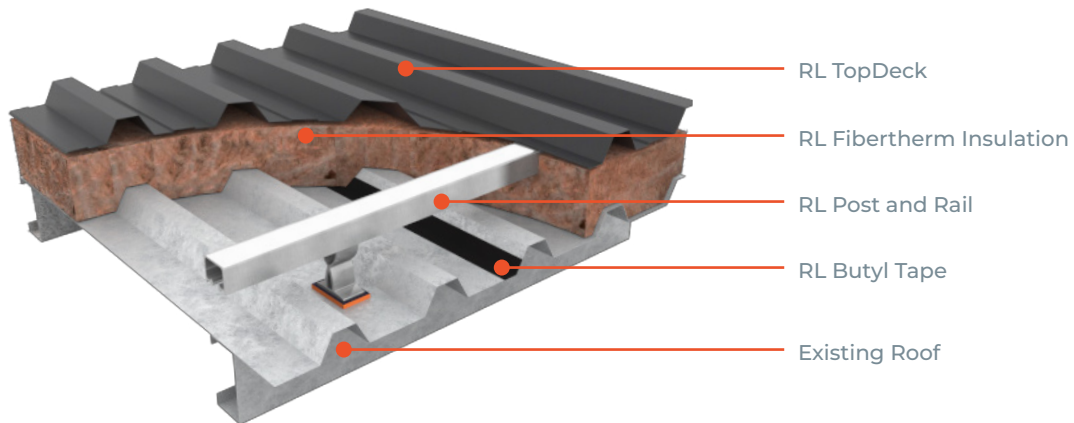




RECOVER SYSTEM FIBERTHERMX

A suite of re-roofing solutions that enable existing roof assemblies to be refreshed; Recover solutions are designed and engineered to provide long term durability and weathertightness and improved thermal and acoustic performance. By simplifying the re-roofing process with a fully warranted system solution, RL Recover has become our most popular system.



RL FiberthermX Recover System

BENEFITS AND ADVANTAGES

The FiberthermX Recover System is constructed over existing metal roofing iron.

Non-Intrusive: Unlike typical re-roofing projects, the FiberthermX Recover System allows the building's occupants and activities to remain undisturbed; no relocation is required.

Condensation Management: With a focus on longterm effectiveness, FiberthermX Recover System is designed and installed to effectively manage condensation risk throughout their lifespan.

Cost-Effective: By opting for the FiberthermX Recover System, many expenses associated with re-roofing are avoided, including tenting, disposal of old roofing materials, and the labour costs involved in those tasks.

Tailored Engineering: RoofLogic conducts a comprehensive roof assessment to ensure that the FiberthermX Recover System is precisely engineered to meet all structural performance requirements for the project.

Enhanced Detailing: FiberthermX Recover System enable meticulous roof detailing, enhancing the durability and weathertightness of critical roof junctions for the long term.

Improved Thermal Efficiency: FiberthermX Recover System solutions offer the flexibility to incorporate additional insulation layers, significantly enhancing the thermal performance of a roof.

