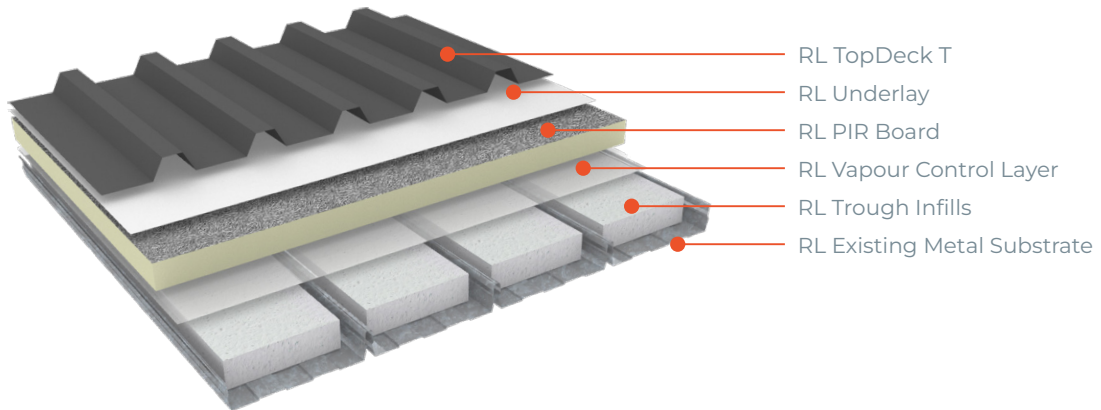




RECOVER SYSTEM

ULTRATHERM MSR

A suite of re-roofing solutions that enable existing roof assemblies to be refreshed; Recover solutions are designed and engineered to provide long term durability and weathertightness and improved thermal and acoustic performance. By simplifying the re-roofing process with a fully warranted system solution, RL Recover has become our most popular system.



RL Ultratherm MSR Recover System

BENEFITS AND ADVANTAGES

The Ultratherm MSR Recover System is constructed over existing metal roofing iron.

Non-Intrusive: Unlike typical re-roofing projects, the Ultratherm MSR Recover System allows the building's occupants and activities to remain undisturbed; no relocation is required.

Condensation Management: With a focus on longterm effectiveness, Ultratherm MSR Recover System is designed and installed to effectively manage condensation risk throughout their lifespan.

Cost-Effective: By opting for the Ultratherm MSR Recover System, many expenses associated with re-roofing are avoided, including tenting, disposal of old roofing materials, and the labour costs involved in those tasks.

Tailored Engineering: RoofLogic conducts a comprehensive roof assessment to ensure that the Ultratherm MSR Recover System is precisely engineered to meet all structural performance requirements for the project.

Enhanced Detailing: Ultratherm MSR Recover System enable meticulous roof detailing, enhancing the durability and weathertightness of critical roof junctions for the long term.

Improved Thermal Efficiency: Ultratherm MSR Recover Systems offer the flexibility to incorporate additional insulation layers, significantly enhancing the thermal performance of a roof.

